

# Westbury

- A simple but effective covered sphere with the emphasis on durability. The separate substantial aluminium canopy can be powder coated to any BS/RAL colour. The polycarbonate sphere is highly vandal resistant. Restricted upward light output for pollution control. Can be both column and wall mounted on a choice of bracket and column styles.
- Simple but durable design
- Economical lighting solution
- Low light pollution
- IP55 rated

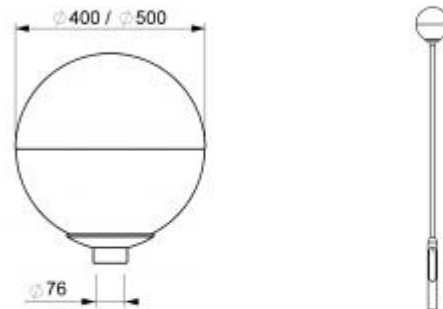


## Technical info

Materials	Glazing: Double UV Stable Polycarbonate globe, Clear, opal or frosted available
Ingress Protection	IP55
Finishes	NA
Optics	Symetrical louvre stack Symetrical or asymmetrical refractor system
Gear	Upto 150W SONT Upto 150W MH Upto 140W Cosmopolis Upto 150W Ceramic Metal Halide Compact Fluorescent
Fixings	Stainless Steel
Recommended Height	4m - 8m
Mounting	Post top
Mounting Details	Dia 60mm spigot
Maintenance	Globe lifts off base for access to gear and lamp
Weight	Call for specific details
Photo Cell	NA

## Typical Applications

- ✓ Carpark
- ✓ Exterior
- ✓ Amenity



c a n d e l a

L I G H T